

HRN-CE10K2 Installation on 2019+ Mack (MR series) Cab Over

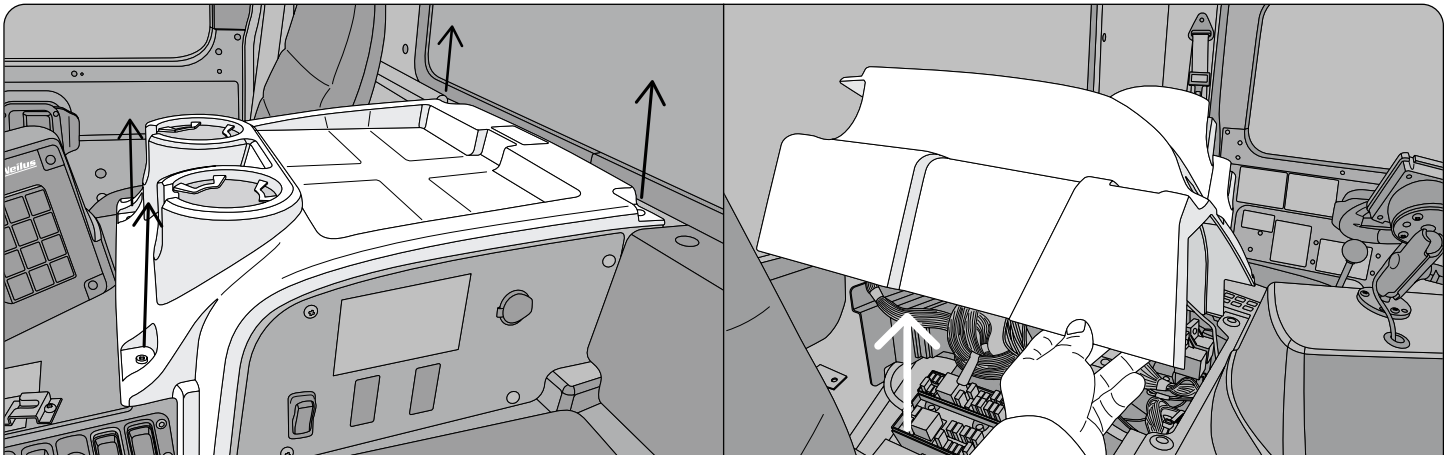
***NOTE:** Installation of this harness requires HRN-CM24Y1.

HRN-CE10K2 kit includes:

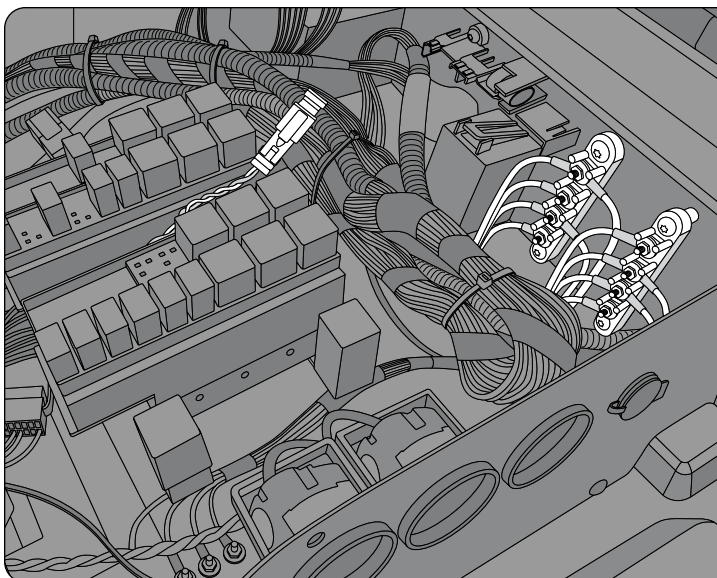
- **HRN-CE10A2** harness
- **HRN-5AFUSEKIT** fuse kit

Professional Installation Required – Successful application of this harness/IOX requires sufficient technical knowledge and expertise for the respective installation, i.e. Certified Geotab Installer or equivalent.

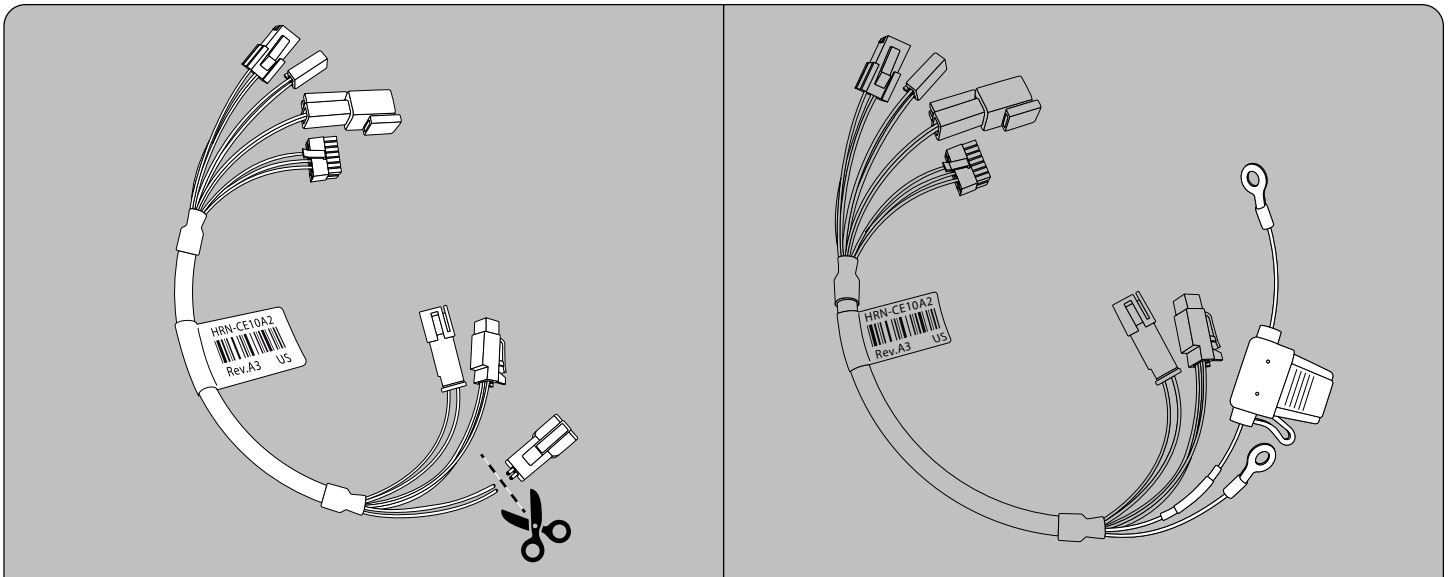
⚠ **i** Read important related Safety Information and **Limitations of Use** following these installation instructions. The GO device must be disconnected from the vehicle prior to harness/IOX installation. Post harness/IOX installation, connect the GO device, read and follow all **instructions** and warnings to prevent serious injury and/or vehicle damage.



Step 1: Remove the center console cover (usually held in by T25 screws).

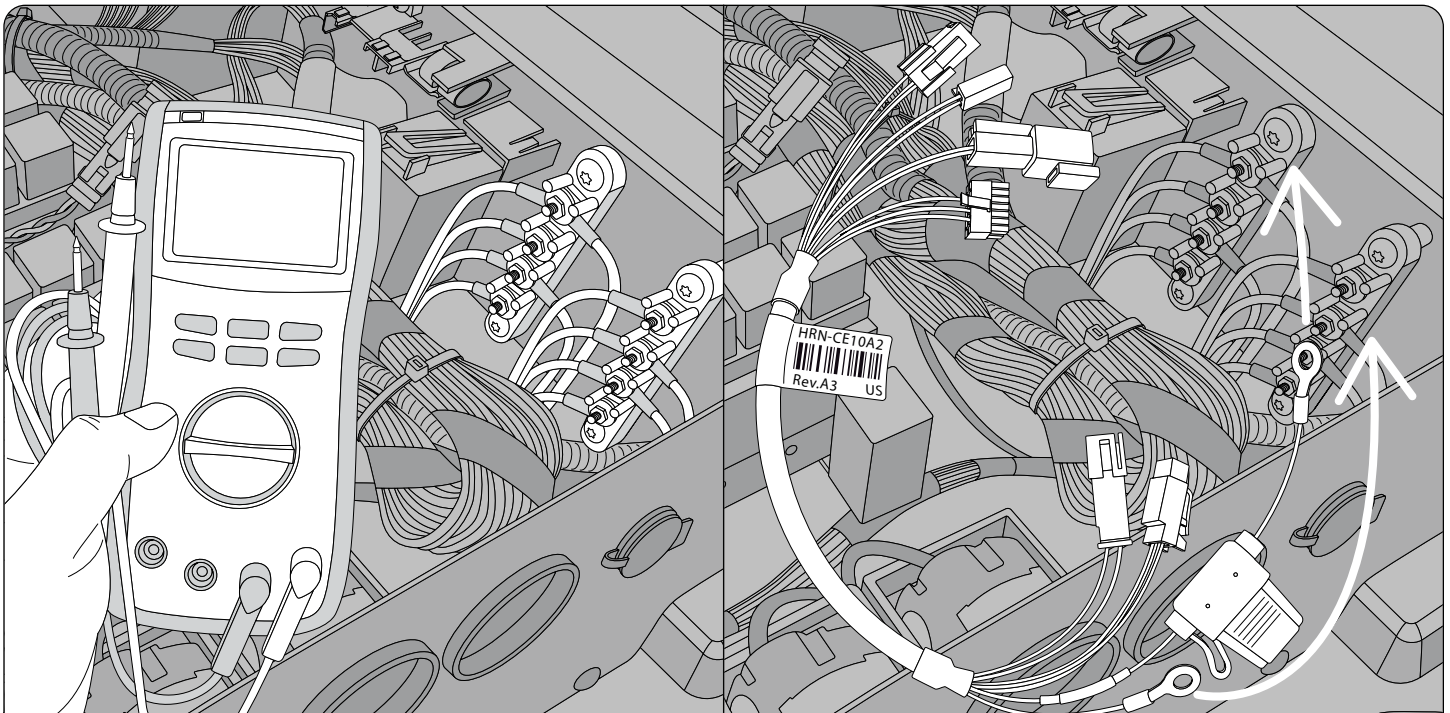


Step 2: Locate the power bus bar and the twisted yellow and green J1939 lines inside the center console area.



Step 3: Prepare the HRN-CE10K2 kit:

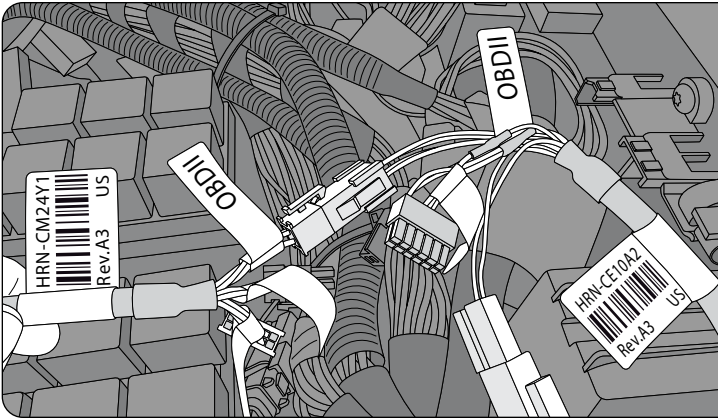
- Take the HRN-CE10A2 harness and cut the black and red wires that lead to the black power connector.
- Using the parts provided in the HRN-5AFUSEKIT, add a butt connector, fuse holder and ring terminal to the RED wire and a ring terminal only to the BLACK wire.



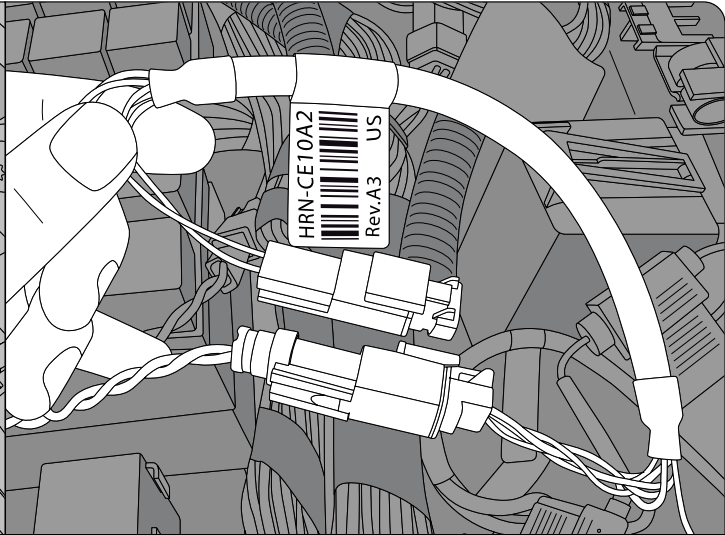
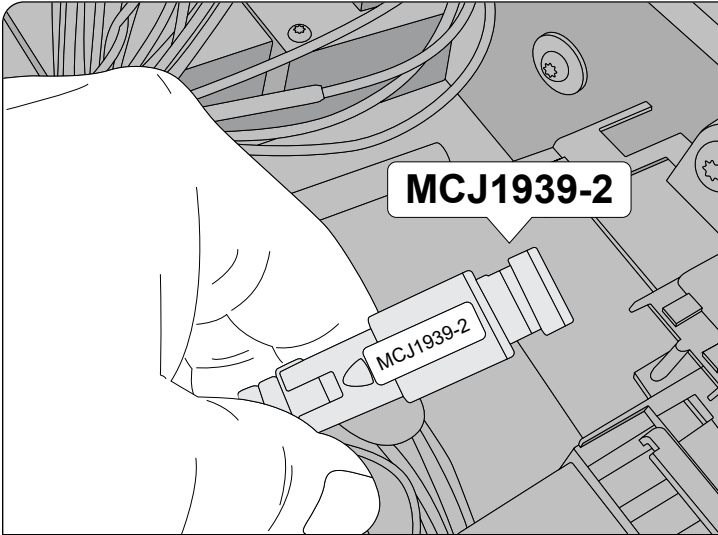
Step 4: Using a multimeter, identify the following:

- 12 volt (constant) source
- Ground source

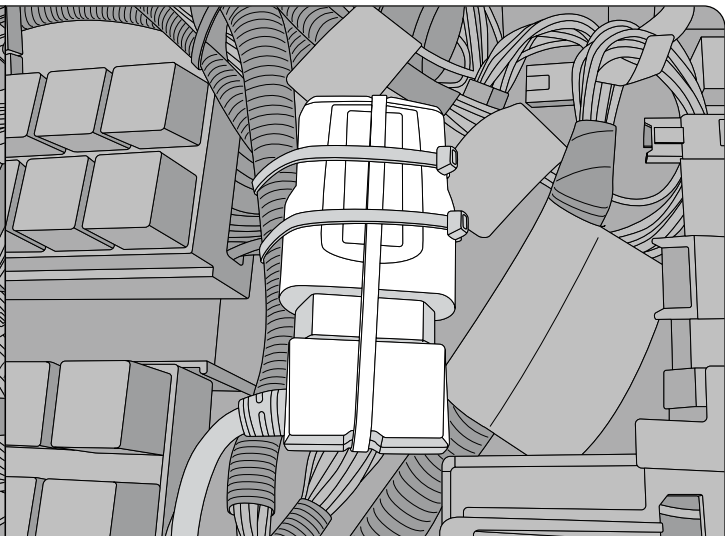
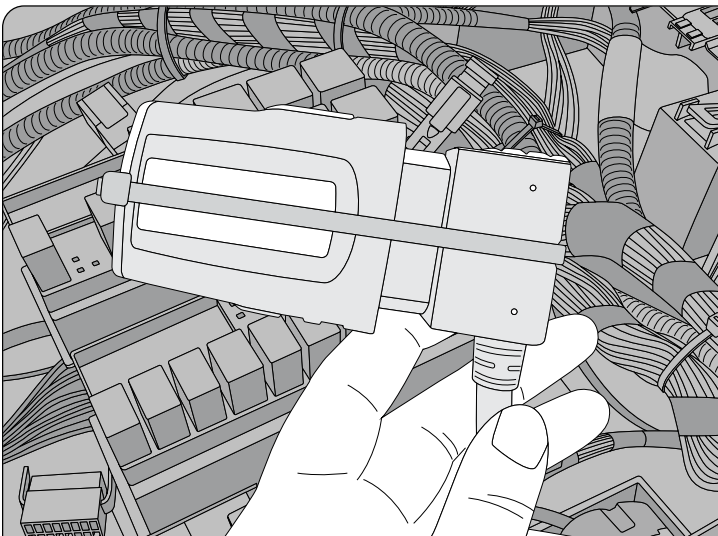
Connect the fused RED wire to the 12V post and the BLACK wire to the ground post on the power bus bar.



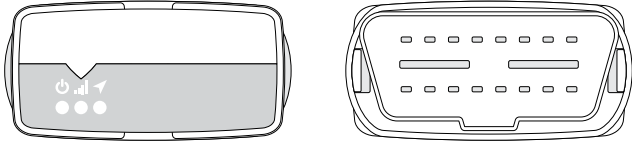
Step 5: Take the HRN-CM24Y1 and connect the 6-pin white Molex connector labeled OBD2 with the 6-pin white connector labeled OBD2 from the HRN-CE10A2.



Step 6: Remove the terminating resistor from the green and yellow twisted pair connector labeled MCJ1939-2, then plug it into the mating end of the HRN-CE10A2. Connect the HRN-CE10A2 to where the terminating resistor was removed from MCJ1939-2.

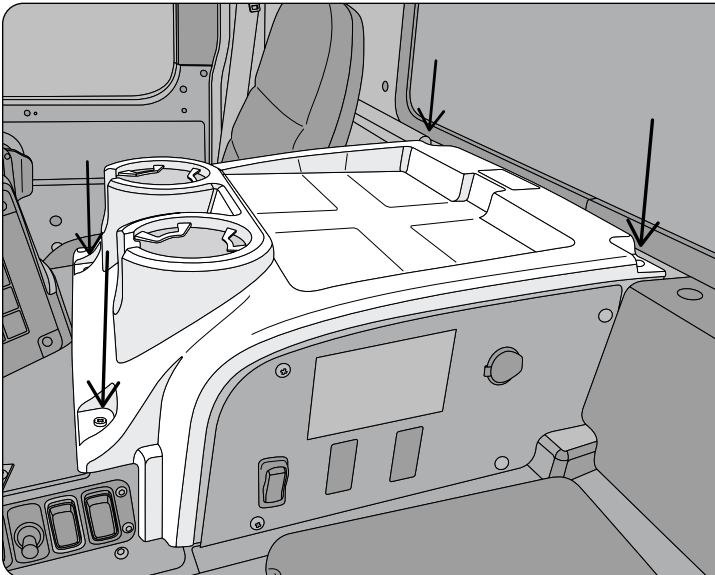


Step 7: Connect the HRN-CM24Y1 to the GO device and secure the connection with a cable tie. Use two additional cable ties to secure the GO device inside the center console.

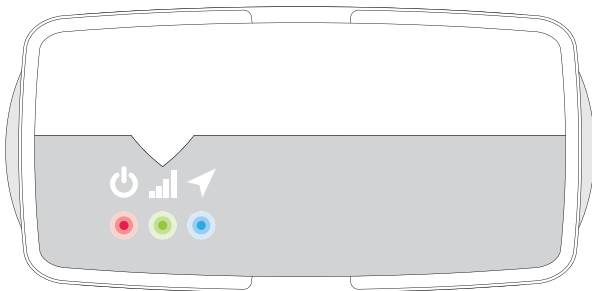


GPS-antenna is located at the "bottom" of the Geotab device.

Step 7: GPS-antenna is located at the "bottom" of the Geotab device. Ensure this side is facing away from any metal surface when securing the device into the vehicle.



Step 8: Clean up all wiring using cable ties. Complete an installation check for the GO device, then reinstall the center console cover.



Step 10: Start the engine, leaving it to idle. All three LED's will flash red briefly - wait until you see all three LED's: Red (Power), Green (GSM) and Blue (GPS). These tell you the unit has connected successfully.

During this five-minute process the unit will also beep repeatedly as it updates to the latest settings.

Log on to: <https://installmygps.com>

Enter installation details as prompted.